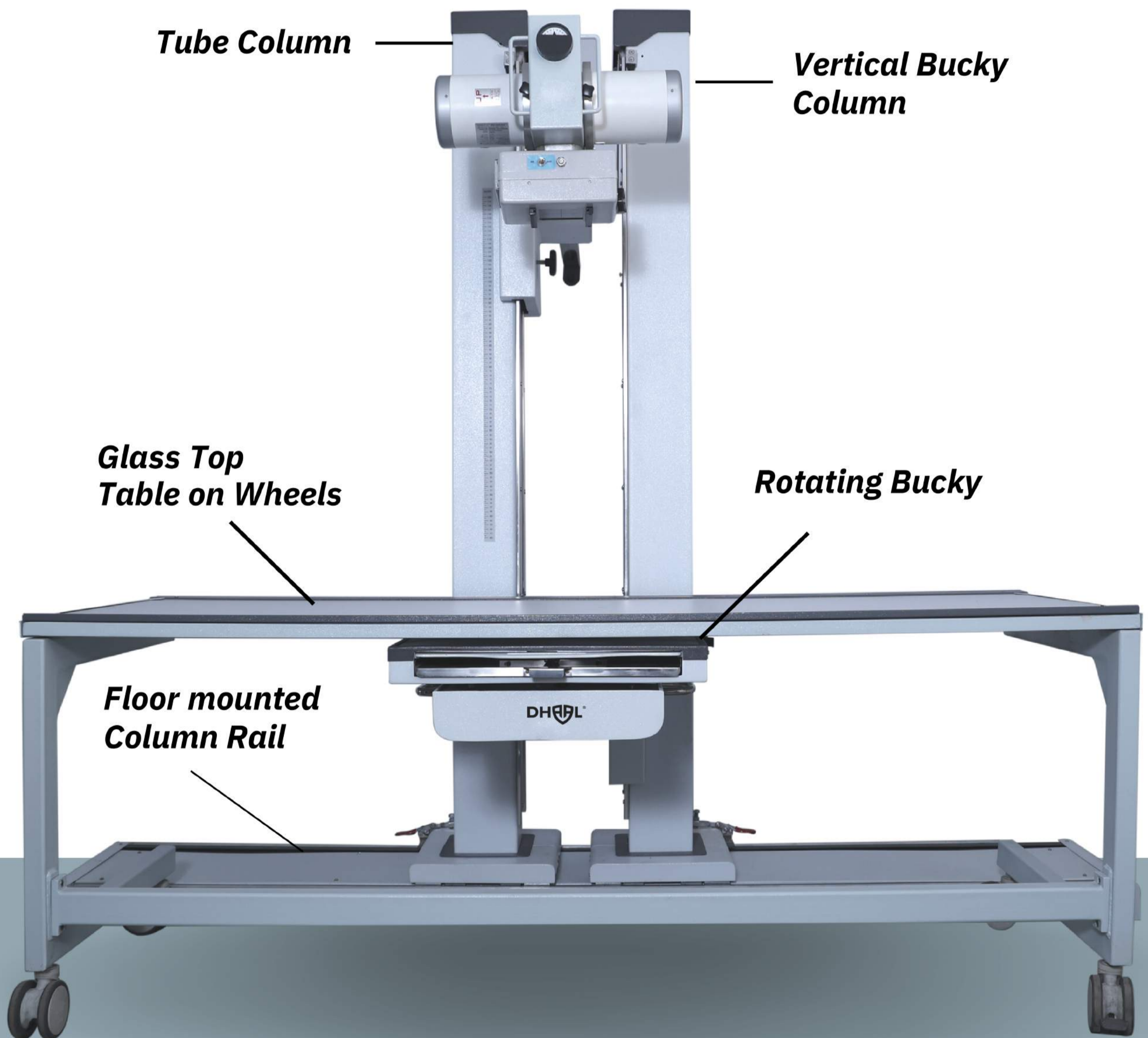




## Dual function floor mounted **DR PROTECTION STAND**





# Dual Column, Floor Mounted DR PROTECTION STAND

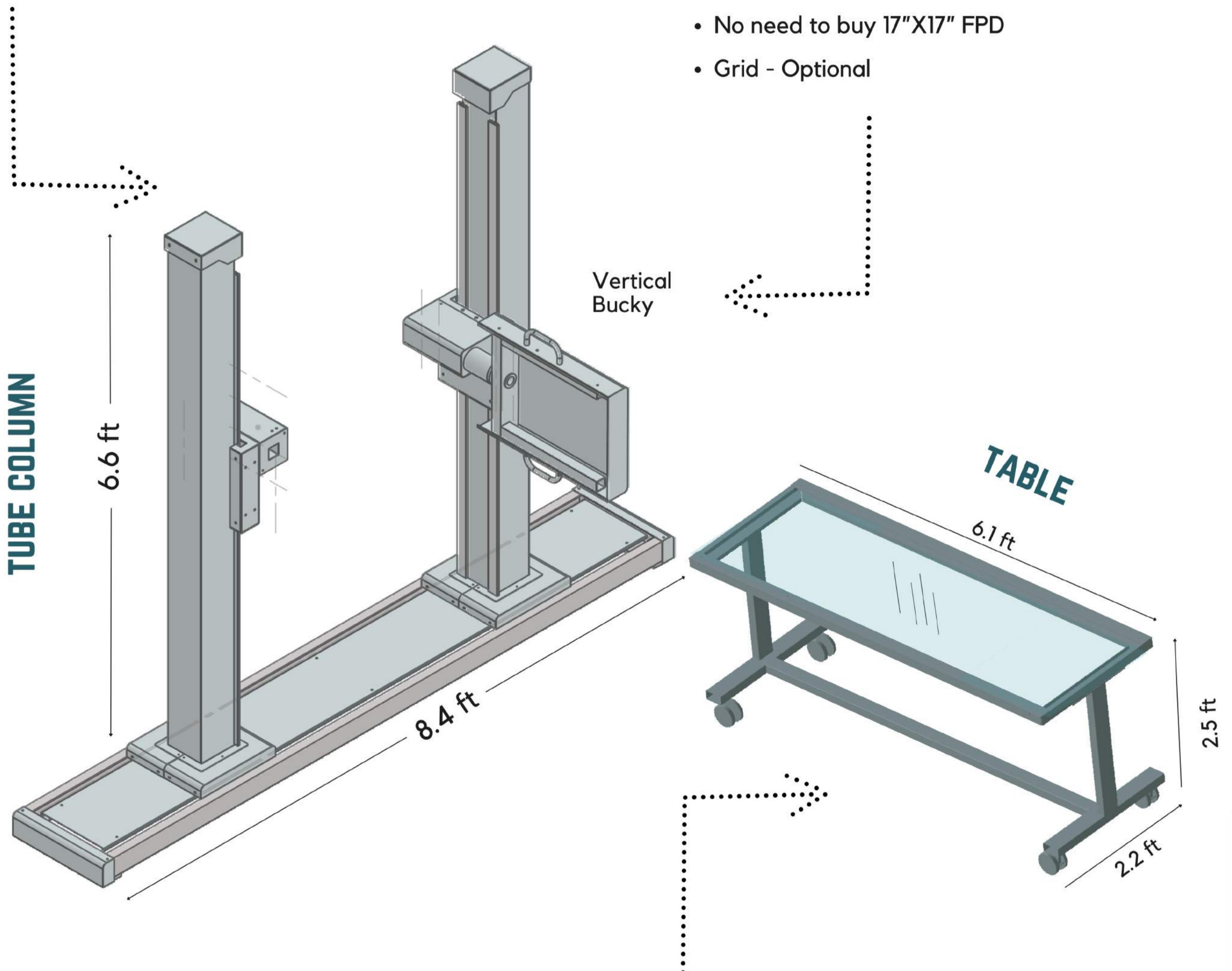


## FLOOR MOUNTED TUBE STAND

- Compatible with any X-Ray solution (HF/LF)
- Smooth and easy operation
- Fully Counter-balanced movement
- Easy alignment of Tube Column and Bucky Stand

## VERTICAL BUCKY

- Easy to Perform all X-Ray Studies
- Appropriate for Load Bearing X-Rays
- $\pm 90^\circ$  movement of Vertical Bucky
- Rotating Bucky
- No need to buy 17"X17" FPD
- Grid - Optional



## ROBUST & COST EFFECTIVE

- Easy Installation & Smooth Function
- Affordable
- High Quality Mild Steel structure
- No cost for Vertical Bucky, Chest Stand, LLI Stand
- Zero Investment on additional FPD Panel
- 0% damage cost

## TOUGHENED GLASS TOP TABLE

- High load bearing capacity
- Easy movement in all directions
- Transparent glass top for easy position of patient and appropriate image quality
- 200 Kg weight capacity



# Single Column, Dual function DR PROTECTION STAND

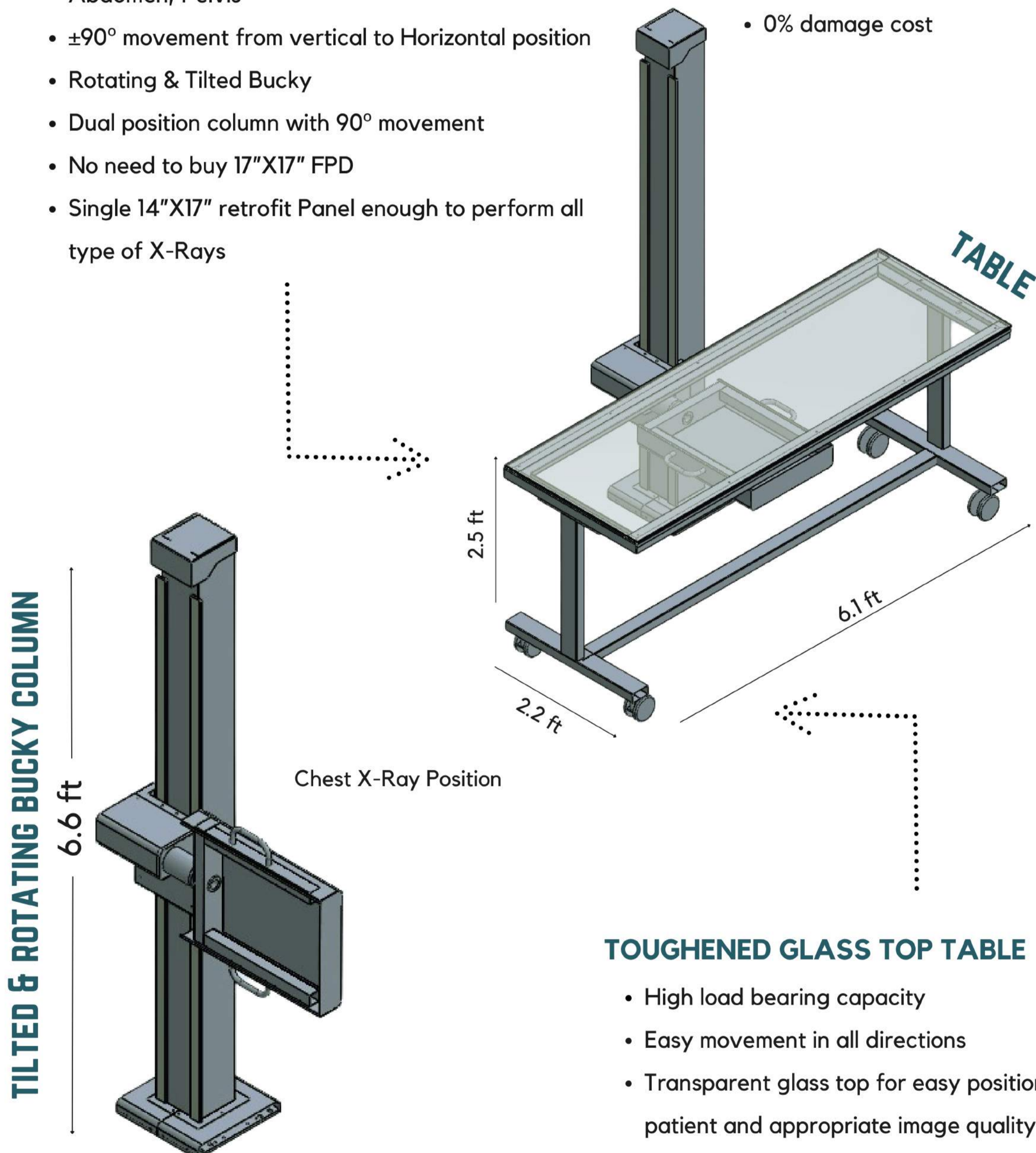
- Suitable for small X-Ray rooms
- Compatible with existing fixed X-Ray Machine
- Compatible with Mobile X-Ray Machine

## VERTICAL BUCKY

- Easy to Perform all X-Ray Studies
- Appropriate for Load Bearing X-Ray like Spine, Abdomen, Pelvis
- $\pm 90^\circ$  movement from vertical to Horizontal position
- Rotating & Tilted Bucky
- Dual position column with  $90^\circ$  movement
- No need to buy 17"X17" FPD
- Single 14"X17" retrofit Panel enough to perform all type of X-Rays

## ROBUST & COST EFFECTIVE

- Easy Installation & Smooth Function
- Affordable
- High Quality Mild Steel structure
- No cost for Vertical Bucky, Chest Stand, LLI Stand
- Zero Investment on additional FPD Panel
- 0% damage cost



## TOUGHENED GLASS TOP TABLE

- High load bearing capacity
- Easy movement in all directions
- Transparent glass top for easy position of patient and appropriate image quality
- 200 Kg weight capacity





## Radiation Protection Apparel

Dhaal Healthcare launched its full range of Radiation protection Aprons consisting of Lead Apron, Lead Vinyl Apron & Lead Free Apron for doctors and medical professionals.



## LED X-Ray Illuminator

Dhaal LED View boxes provide optimum viewing conditions which facilitate identification of radiographic details and decrease the need for retakes, patients' costs and radiation dose.



## Accessories

Lead Sheet, Protection Barrier, Apron Stand, Vertical Bucky.



## X-Ray Machines

BIS, AERB Approved mobile and fixed X-Ray Machine with Microprocessor Controlled, and Simultaneous protection from selection of excess KV, mA & time.



## OPG Machine

BIS, AERB Approved OPG Machine with Motorised Vertical Movement & Microcontroller based 6 line LCD Display.



Connect with us to get the right information & help choose the right product

Recognised by



### CONTACT DETAILS :

DHAAL HEALTHCARE PVT. LTD. LT-05, #0001, PARAS TIEREA, SEC-137, NOIDA,  
PH : +91 9910008566, +91 9810116846, EMAIL : INFO@DHAALINDIA.COM